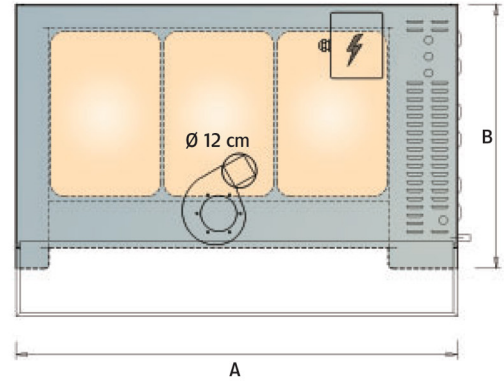


# BAKER'S BEST

KEEP AMERICA BAKING

## Modular Electric Deck Ovens: 3 Pan Models

Product Data Sheet Pg 1/2



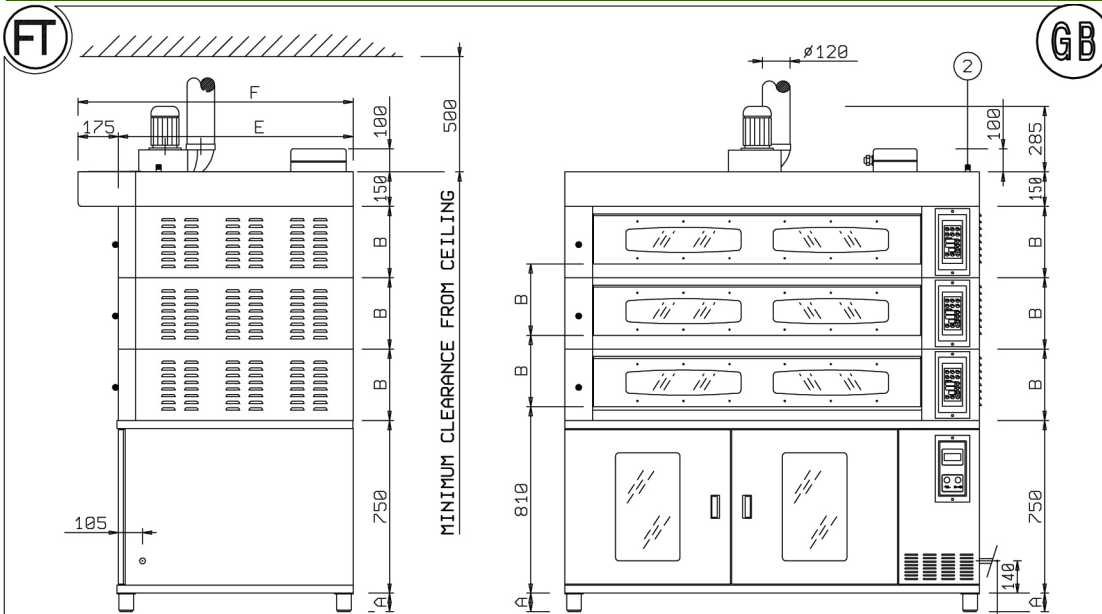
	4060	4666	4676
A	160	180	180
B	96	102	112

# of Decks	Deck Oven Interior Dimensions	Deck Oven Capacity	Deck Oven Exterior Dimensions W x D	Height	Weight	Amps	Deck Oven Pan Layout
1 Deck	56" X 26"	3 Pan	71" X 40"	---	308	25	
2 Deck		6 Pan		67"	838	50	
3 Deck		9 Pan		72"	1257	75	
4 Deck		12 Pan		84"	1676	100	

Add 1 KW for Proofer.

ALL BASE OPTIONS LEGS, PAN STORAGE CABINET OR PROOFER 34" HEIGHT

## Modular Electric Deck Ovens: 3 Pan Models

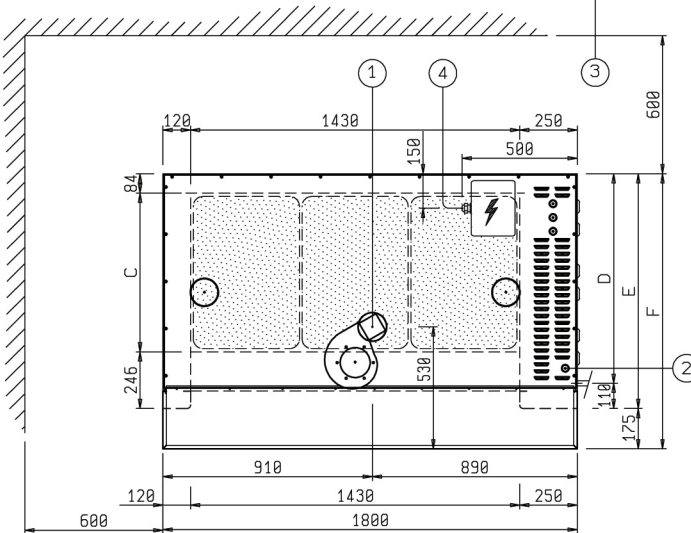


OVEN TYPE	A
1 CHAMBER	190
2 CHAMBERS	190
3 CHAMBERS	80

PANS 46X66			
C	D	E	F
690	910	1020	1195

PANS 46X76			
C	D	E	F
790	1010	1120	1295

USEFUL H.	180	230	280
B	310	360	410



TECHNICAL FEATURES	WITH ECONOMIZER	/
INSTALLED POWER FOR SINGLE CHAMBER (KW)	3,5 KW	7 KW
AVERAGE CONSUMPTION FOR SINGLE CHAMBER	4,2 KW/H	
INSTALLED POWER PROOFER	0,5 KW	
AVERAGE CONSUMPTION PROOFER	0,3 KW	
ELECTRIC POWER FOR STEAM GENERATOR FOR SINGLE CHAMBER	0,7 KW	
USEFUL DIMENSIONS BAKING CHAMBER	1430 X C	
MINIMUM PASSAGE FOR DISSEMBLED OVEN	800 X E	

1 STEAM EXHAUST PIPE	∅120
2 WATER ARRIVAL	∅1/2"
3 WATER DISCHARGE	∅1/2"
4 ELECTRIC ENERGY ARRIVAL	

**MODULAR OVEN**  
3 PANS 46X66 - 46X76  
WITH PROOFER



Sistema Qualita

DATA . VISTO . DATA 06.03.07

BOLL. . DIS. . DIS.N° POS/572

Disegno di Proprietà Riservata e non può essere riprodotto o mostrato a terzi ai sensi di Legge