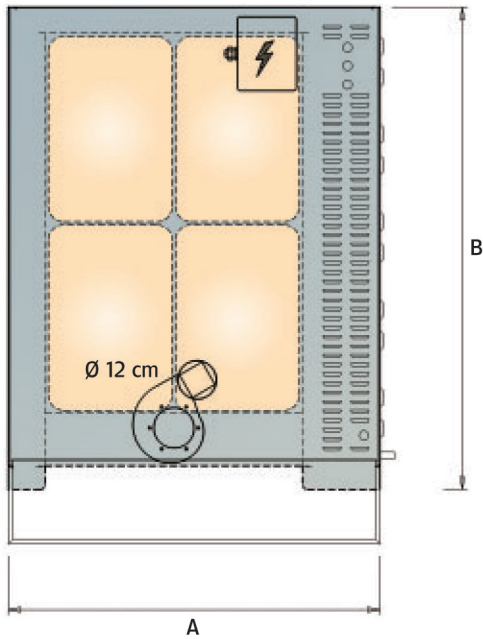
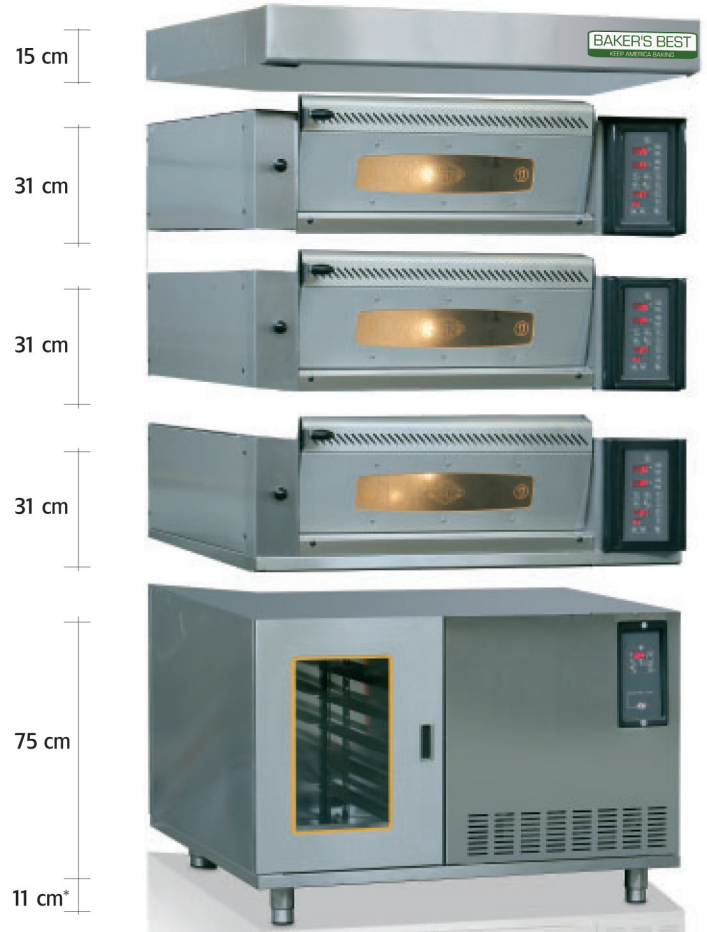


Modular Electric Deck Ovens: 4 Pan Models

Product Data Sheet Pg 1/2



	4060	4666	4676
A	120	132	132
B	156	168	188

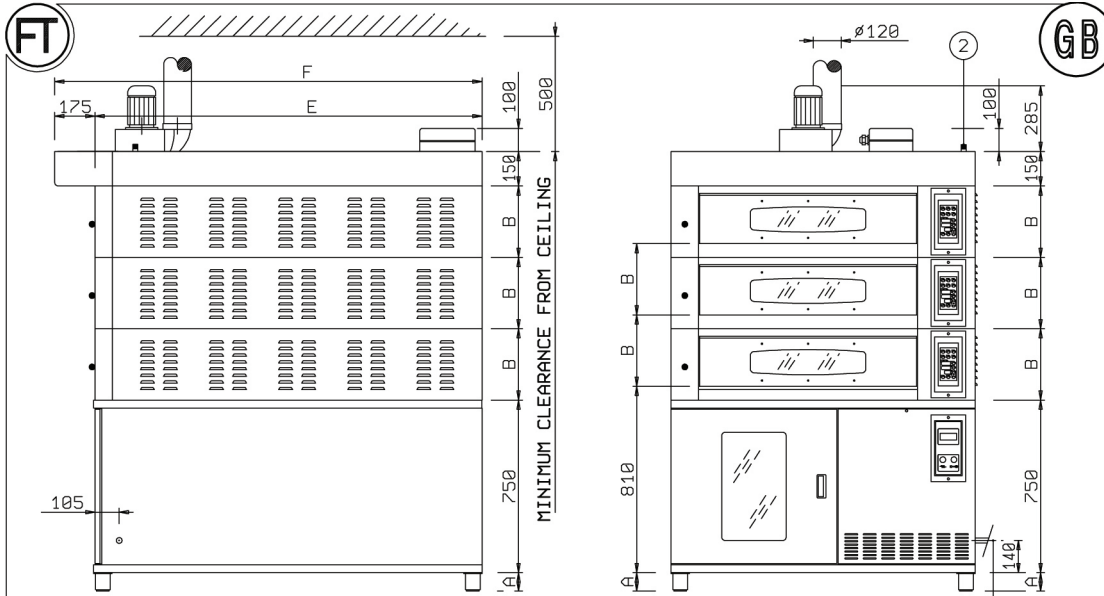


# of Decks	Deck Oven Interior Dimensions	Deck Oven Capacity	Deck Oven Exterior Dimensions W x D	Height	Weight	Amps	Deck Oven Pan Layout
1 Deck	37" x 52"	4 Pan	52" x 66"	---	352	30	1 DECK, 4 Pans
2 Deck		8 Pan		67"	882	60	2 DECK, 8 Pans
3 Deck		12 Pan		72"	1323	90	3 DECK, 12 Pans
4 Deck		16 Pan		84"	1764	110	4 DECK, 16 Pans

Add 1 KW for Proofer.

ALL BASE OPTIONS LEGS, PAN STORAGE CABINET OR PROOFER 34" HEIGH

Modular Electric Deck Ovens: 4 Pan Models

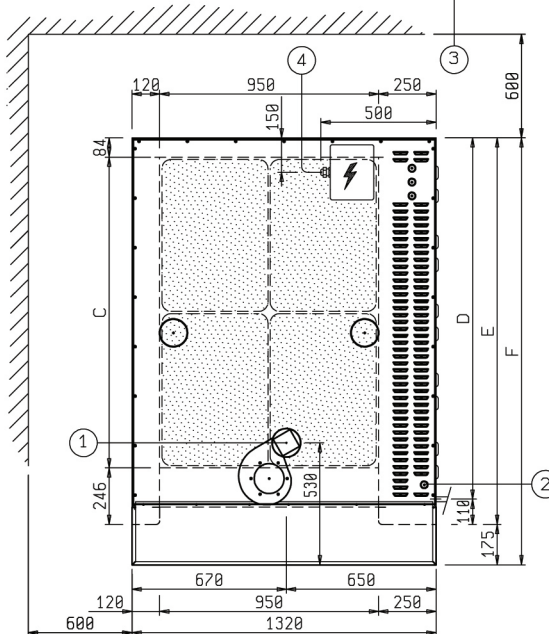


OVEN TYPE	A
1 CHAMBER	190
2 CHAMBERS	190
3 CHAMBERS	80

PANS 46X66			
C	D	E	F
1350	1570	1680	1855

PANS 46X76			
C	D	E	F
1550	1770	1880	2055

USEFUL H.	180	230	280
B	310	360	410



TECHNICAL FEATURES	WITH ECONOMIZER	
		/
INSTALLED POWER FOR SINGLE CHAMBER (KW)	4,3 KW	8,5 KW
AVERAGE CONSUMPTION FOR SINGLE CHAMBER	5 KW/H	
INSTALLED POWER PROOFER	0,5 KW	
AVERAGE CONSUMPTION PROOFER	0,5 KW	
ELECTRIC POWER FOR STEAM GENERATOR FOR SINGLE CHAMBER	1 KW	
USEFUL DIMENSIONS BAKING CHAMBER	950 X C	
MINIMUM PASSAGE FOR DISSEMBLED OVEN	800 X 1350	

1 STEAM EXHAUST PIPE	Ø120
2 WATER ARRIVAL	Ø1/2"
3 WATER DISCHARGE	Ø1/2"
4 ELECTRIC ENERGY ARRIVAL	

MODULAR OVEN
4 PANS 46X66 - 46X76
WITH PROOFER



DATA

VISTO

DATA 06.03.07

BOLL.

DIS.

DIS.N° POS/573

Sistema Qualita'

DISEGNO DI PROPRIETA' RISERVATA E NON PUO' ESSERE RIPRODOTTO O MOSTRATO A TERZI AI SENSI DI LEGGE