

Dutchess

Bakers' Machinery Company, Inc.

A subsidiary of Superior-Lidgerwood-Mundy Corp.

*A United States of America Manufacturer
Since 1886*

Item No. _____

Model BM-36 *(1-4 oz pieces)*
36-Part Manually Operated Dough Divider

Manually Operated Dough Divider

Manually operated!

Divide dough 36 pieces at a time in weights ranging from 1 ounce up to 4 ounces each.

Ideal for dividing all yeast raised dough for producing buns, rolls, subs, bread and more.

Durable design consisting of cast iron plugs and Stainless Steel Knives and Pan.

Capable of dividing most types of yeast raised dough including pizza and bread dough.

Simple to operate - learn in just minutes!

Must be mounted to a Bench or Portable Stand.

Two year Warranty

Portable Stand (P/N B4-436-0072) *not shown*

Extra Stainless Steel Pans (P/N BM -17A)



ASSOCIATE MEMBER
MAFSI
Manufacturers' Agents for
the Food Service Industry

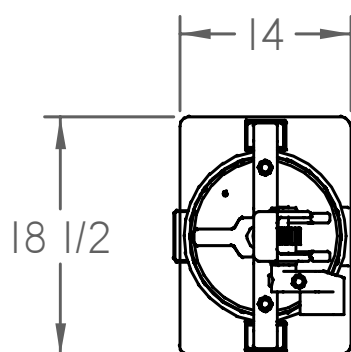
Dutchess Bakers' Machinery Co.
302 Grand Avenue, PO Box 39
Superior, WI 54880

ISO 9000:2001 COMPLIANT

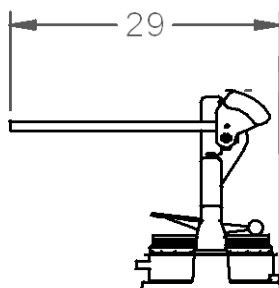
Toll Free: 800-777-4498
Phone: 715-394-4444
Fax: 715-394-2406
sales@dutchessbakers.com
www.dutchessbakers.com

MODEL BM-36

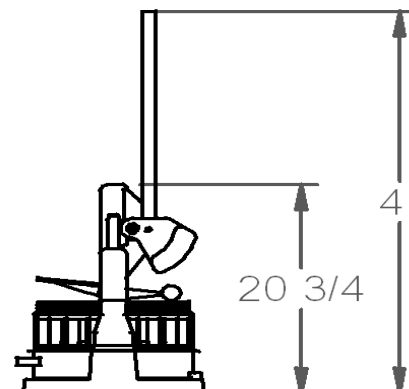
36-Part Manually Operated Dough Divider (1 oz - 4 oz each)



Top View



Right Side View



Machine Dimensions:

Width: 18-1/2" (46.99 cm) **Depth:** 14" (35.56 cm) **Height:** (incl. handle) 41" (104.1 cm)

Shipping Wt.: 189 lbs (85.05 kg) **Net Wt.:** 177 lbs (79.65 kg)

Shipping Class: 85 **FOB:** Superior, WI 54880

Shipping Dimensions: 19" x 25" x 33" (48.26 cm x 63.5 cm x 83.82 cm)

Stand Dim.: **Width:** 18-1/2" (46.99 cm) **Depth:** 23" (58.42 cm) **Height:** 28-1/2" (72.39 cm)

Stand Shipping Wt: 35 lbs (15.88 kg) **Shipping Dimensions:** 24" x 25-1/2" x 4-1/2"

Manually Operated Dough Divider (Bench Model)

Note: Must be mounted to a Bench, Table or optional **Portable Stand (P/N B4-436-0072)**

Mounting bolt hole pattern (on center): 16-7/8" x 12-1/2"

Standard: White Enamel Finish & (1) Stainless Steel Pan, Stainless Steel Knives

Options: **Portable Stand** with toe-lock Casters & Shelf (P/N B4-436-0072)

(mounting hardware included)

Extra Stainless Steel Pans (P/N BM-17A)

Dutchess Bakers' Machinery Company Inc., 302 Grand Avenue, Superior, WI 54880-0039

Toll Free: 800-777-4498 ~ Ph: 715-394-4444 ~ Fax: 715-394-2406

sales@dutchessbakers.com ~ www.dutchessbakers.com