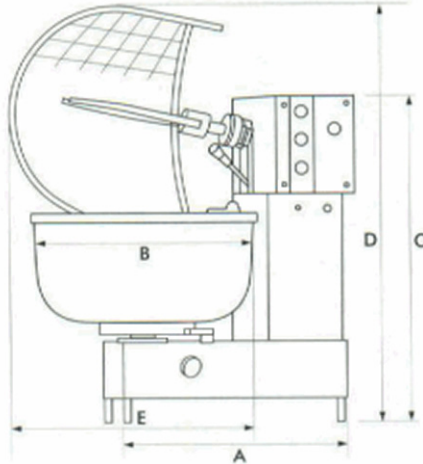


Baker's Best Fork Mixers - Fixed Bowl

Product Data Sheet Pg 1/1



Model*	Dough Capacity		A	B	C	Weight	Power (KW)
	Minimum	Maximum					
2170S 2170M	60	175	45"	50"	44"	970 lbs	5.50
2230S 2230M	85	255	54"	46"	46"	992 lbs	5.50
2330S 2330M	115	355	57"	47"	49.5"	1014 lbs	5.50
3440S 3440M	175	525	62"	55"	55"	1367 lbs	8.10



* S indicates single timer.



* M indicates two timers.

All mixers are 220 volts, 3 phase, 60 Htz.