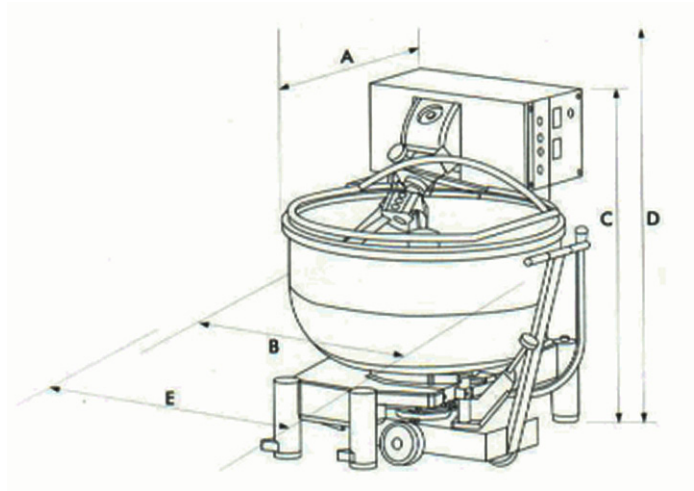


Fork Mixers - Removable Bowl

Product Data Sheet Pg 1/1



Model*	Dough Capacity Minimum/Maximum		A	B	C	Weight	Power (KW)
2170 SAL 2170 MAL	60	175	46"	50"	48"	1168 lbs	5.50
2230 SAL 2230 MAL	85	225	55"	50"	51"	1190 lbs	5.50
2330 SAL 2330 MAL	115	355	59"	50"	52"	1213 lbs	5.50
3440 SAL 3440 MAL	175	525	62"	55"	60"	1698 lbs	8.10



* SAL indicates Single Timer



* MAL indicates two timers.

All mixers are 220 volts, 3 phase, 60 Htz.