

BAKER'S BEST

FLOOR MODEL SHEETER

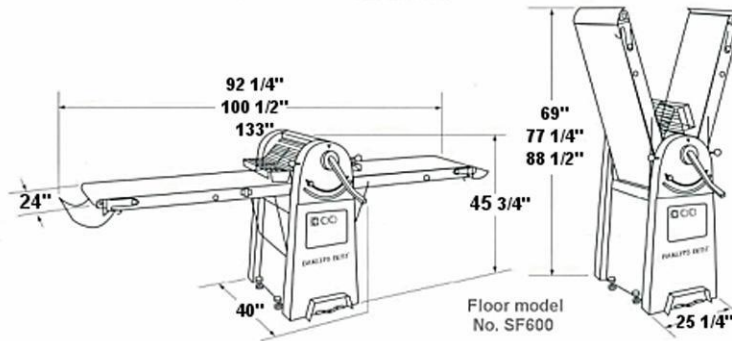
PRODUCT DATA SHEET PG. 1/1

TABLE TOP SHEETER NO. SF 600



MODELS:

- 600 mm x 950 mm (37 ½")
- 600 mm x 1200 mm (47 ½")
- 600 mm x 1500 mm (59")



Cylinder Length	Diameter of Cylinders	Opening of Cylinders	Belt Width	Electrical	Motor	Weight
600 mm (23 5/8")	70 mm (2 ¾")	From 0 – 33 mm (1 3/8")	600 mm (23 5/8")	220 volt 60 Hz	1 HP	215 kg (474 lbs)
Options: 2 Speed motor and cutter attachment						